



Made in the USA

# EMERSON™ E20 Food Waste Disposer

The Emerson E20 has been designed as a low cost food waste disposer. But don't be fooled by the price, the E20 offers high standards of performance and reliability, as it's made by InSinkErator the largest manufacturer of food waste disposers in the world!



## Key Features

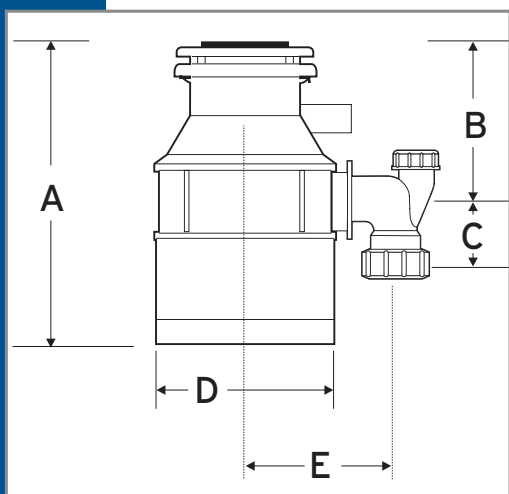
- Made in the USA
- 1-stage grind technology
- 0.55HP High-torque Dura-Drive™ induction motor
- Standard grind chamber
- Continuous feed
- Overload protection
- Quick Lock® mounting assembly for faster, easier installation
- Air switch accessory available
- 2 Year Warranty

## Specifications

|                  |   |                          |  |
|------------------|---|--------------------------|--|
| Type of Feed     | Continuous                                    | Grind Chamber Capacity   | 980 ml                                 |
| On/Off           | Wall Switch                                   | Motor Protection         | Manual Reset Overload                  |
| Power Supply     | Single Phase                                  | Average Water Usage      | Approximately 4.0 L per Person per Day |
| Time Rating      | Intermittent                                  | Average Electrical Usage | 5-6 KWH per Annum                      |
| Lubrication      | Permanently Lubricated Upper & Lower Bearings | Drain Connection         | 1-1/2" (3.81 cm)                       |
| Grind Technology | 1-Stage Grind Technology                      | Dishwasher Connection    | Yes                                    |
| Sound Technology | Quiet Sink Baffle Sound Insulation            |                          |  |

|                 |     |      |
|-----------------|-----|------|
| Volts/Hz        | HP  | RPM  |
| 220-240V, 50 Hz | .55 | 1490 |

Emerson reserves the right to change product specifications without prior notice. The disposer described in this leaflet is for household use; usage in commercial situations is not covered by warranty.



## Dimensions

A = 318mm      D = 159mm  
 B = 168mm      E = 131mm  
 C = 64mm

For more information contact Parex Industries Limited on Tel: 0800 200 510 or email [info.parex@emerson.com](mailto:info.parex@emerson.com)

